

081M Series

Filtered Medical Power Entry Modules with Fuse



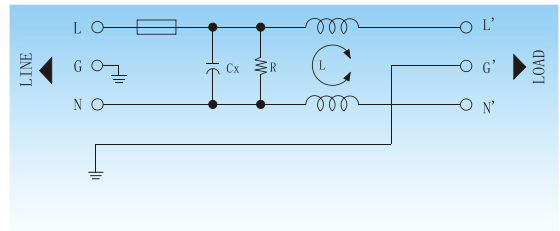
Features

Compact safety module, very low leakage current compact and easy to use power entry filter with safety fuse. Fast on tabs and other termination options also available.



Typical Applications

Medical equipment and other medical applications which require integrated safety fuses.



✓ Electrical Schematic



Specifications :

Rated Voltage Max. :	250 VAC
Rated Current:	1- 10A @40°C
Operating Frequency :	50/60 Hz
Leakage Current :	
@250VAC 50Hz	5 μ A MAX.
@115VAC 60Hz	2 μ A MAX.
Hipot Rating (1minute) :	
Line to Line:	1450 VDC
Line to Ground:	2250 VDC
Climatic Category :	25/85/21

Model No.	Rated Current(A) @40°C	Mechanical Diagram	Terminations	
			In	Out
LCR 081M.00101.00	1	A	IEC Inlet Socket	Faston 6.35*0.8
LCR 081M.00301.00	3	A	IEC Inlet Socket	Faston 6.35*0.8
LCR 081M.00601.00	6	A	IEC Inlet Socket	Faston 6.35*0.8
LCR 081M.01001.00	10	A	IEC Inlet Socket	Faston 6.35*0.8

⚠ Above filters can be customized upon request.





081M Series Insertion loss measured in a 50 ohms system



Common Mode Insertion Loss (dB)

Frequency (MHz.)	0.05	0.1	0.15	0.5	1	5	10	30
Filter P/N								
LCR 081M.00101.00	32	38	41	49	51	33	27	17
LCR 081M.00301.00	28	34	37	45	43	29	23	15
LCR 081M.00601.00	16	22	25	31	33	29	23	15
LCR 081M.01001.00	10	16	18	24	26	16	10	8

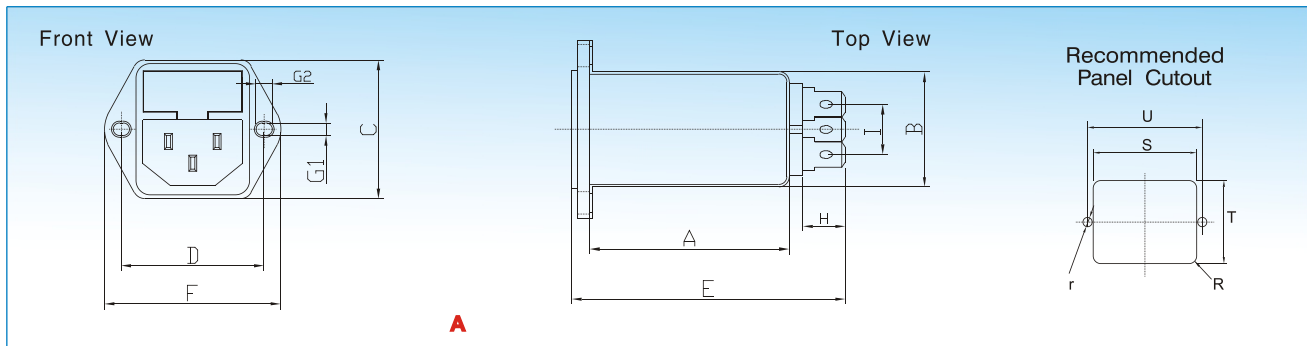


Differential Mode Insertion Loss (dB)

Frequency (MHz.)	0.05	0.1	0.15	0.5	1	5	10	30
Filter P/N								
LCR 081M Series	12	14	18	28	32	55	50	50



Mechanical Outlines:



Mechanical Dimensions:

Model No.	A	B	C	D	E	F	G	H	R	S	T	U	r
LCR 081M.00101.00	50.4	28.5	34.0	36.1	65.0	44.5	2XΦ4*5	7.6	3.5	29	33.3	36.1	2.1
LCR 081M.00301.00	50.4	28.5	34.0	36.1	65.0	44.5	2XΦ4*5	7.6	3.5	29	33.3	36.1	2.1
LCR 081M.00601.00	50.4	28.5	34.0	36.1	65.0	44.5	2XΦ4*5	7.6	3.5	29	33.3	36.1	2.1
LCR 081M.01001.00	50.4	28.5	34.0	36.1	65.0	44.5	2XΦ4*5	7.6	3.5	29	33.3	36.1	2.1

[返回](#) Back to Table of Cotent

1 inch=25.4mm (All dimensions in mm).