

083M Series

Filtered Medical Power Entry Modules with 2 Fuses



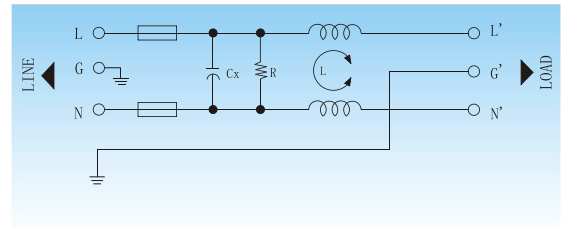
Features

Low leakage current. Compact double safety fuse module. Easy to use. Safety fuses on both line and neutral. Fast on tabs and other termination options also available.



Typical Applications

Medical or low leakage current, compact electronic equipment with safety and protection requirements.



✓ Electrical Schematic



Specifications :

Rated Voltage Max. :	250 VAC
Rated Current:	1- 10A @40°C
Operating Frequency :	50/60 Hz
Leakage Current :	
@250VAC 50Hz	5 μ A MAX.
@115VAC 60Hz	2 μ A MAX.
Hipot Rating (1minute) :	
Line to Line:	1450 VDC
Line to Ground:	2250 VDC
Climatic Category:	25/85/21

Model No.	Rated Current(A) @40°C	Mechanical Diagram	Terminations	
			In	Out
LCR 083M.00101.00	1	A	IEC Inlet Socket	Faston 6.35*0.8
LCR 083M.00301.00	3	A	IEC Inlet Socket	Faston 6.35*0.8
LCR 083M.00601.00	6	A	IEC Inlet Socket	Faston 6.35*0.8
LCR 083M.01001.00	10	A	IEC Inlet Socket	Faston 6.35*0.8

⚠ Above filters can be customized upon request.



083M Series Insertion loss measured in a 50 ohms system



Common Mode Insertion Loss (dB)

Frequency (MHz.)	0.05	0.1	0.15	0.5	1	5	10	30
Filter P/N								
LCR 083M.00101.00	32	38	41	49	51	33	27	17
LCR 083M.00301.00	28	34	37	45	43	29	23	15
LCR 083M.00601.00	16	22	25	31	33	29	23	15
LCR 083M.01001.00	10	16	18	24	26	16	10	8

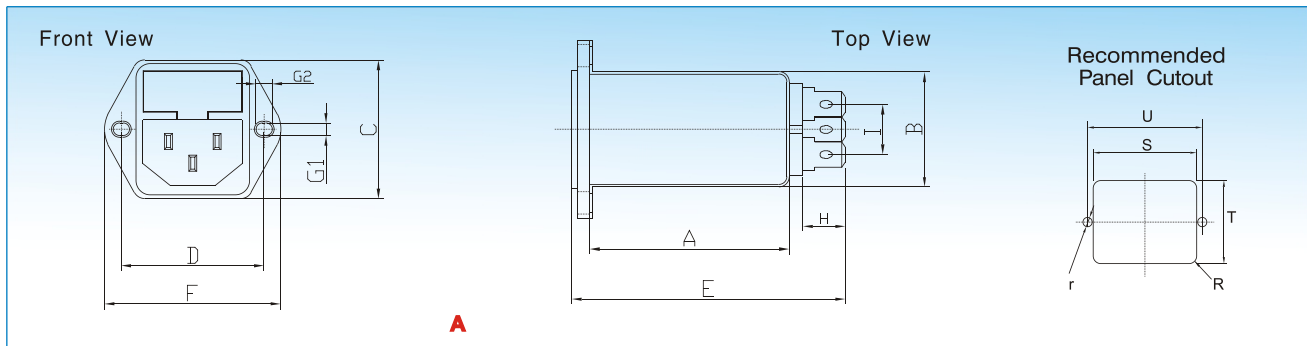


Differential Mode Insertion Loss (dB)

Frequency (MHz.)	0.05	0.1	0.15	0.5	1	5	10	30
Filter P/N								
LCR 083M Series	12	14	18	28	32	55	50	50



Mechanical Outlines:



Mechanical Dimensions:

Model No.	A	B	C	D	E	F	G	H	R	S	T	U	r
LCR 083M.00101.00	50.4	28.5	34.0	36.1	65.0	44.5	2XΦ4*5	7.6	3.5	29	33.3	36.1	2.1
LCR 083M.00301.00	50.4	28.5	34.0	36.1	65.0	44.5	2XΦ4*5	7.6	3.5	29	33.3	36.1	2.1
LCR 083M.00601.00	50.4	28.5	34.0	36.1	65.0	44.5	2XΦ4*5	7.6	3.5	29	33.3	36.1	2.1
LCR 083M.01001.00	50.4	28.5	34.0	36.1	65.0	44.5	2XΦ4*5	7.6	3.5	29	33.3	36.1	2.1

[返回](#) Back to Table of Cotent

⚠ 1 inch=25.4mm (All dimensions in mm).