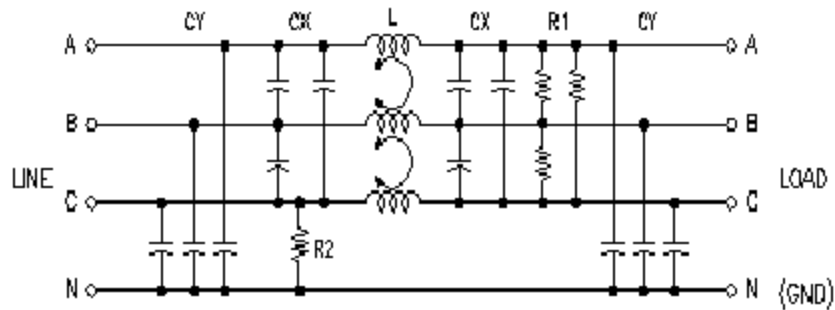


Industrial Filters

Specifications

Filter P/N	I _R (Aac)	SC _x (mF)	SC _y (mF)	L (mH)	R1 (MW)	R2 (MW)
LCR4310-005	5	1.80	0.16	10.0	2	-
LCR4310-007	7	1.80	0.16	8.00	2	-
LCR4310-010	10	3.50	0.18	8.00	2	-
LCR4310-015	15	2.25	1.75	5.00	1.5	1.0
LCR4310-025	25	2.25	1.75	2.50	1.5	1.0
LCR4310-035	35	2.25	1.75	2.50	1.5	1.0
LCR4310-045	45	2.25	2.25	1.50	1.5	1.0
LCR4310-060	60	6.50	2.25	0.75	1.5	1.0
LCR4310-075	75	6.50	2.25	0.75	1.5	1.0
LCR4310-090	90	7.10	2.25	0.75	1.5	1.0
LCR4310-100	100	7.10	2.25	0.50	1.5	1.0
LCR4310-125	125	7.10	2.25	0.50	1.5	1.0

Electrical Schematic



Leakage current:

Leakage C Current=Mains Voltage/Xc (Reactance)
 where $X_c = 1 / (2 \times 3.1416 \times \text{Mains Freq.} \times \text{SCy}(\mu\text{F}))$

Electrical Specifications:

Maximum Operating Voltage: : 440VAC at 50/60 Hz

Dielectric Withstand Voltage: :

Line to Line: : 1,700 VDC

Line to Ground: : 2,250 VDC

Mechanical Specifications

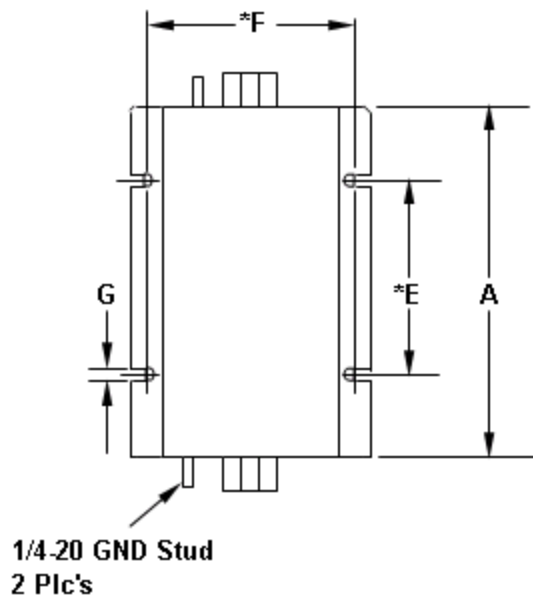


FIGURE 1

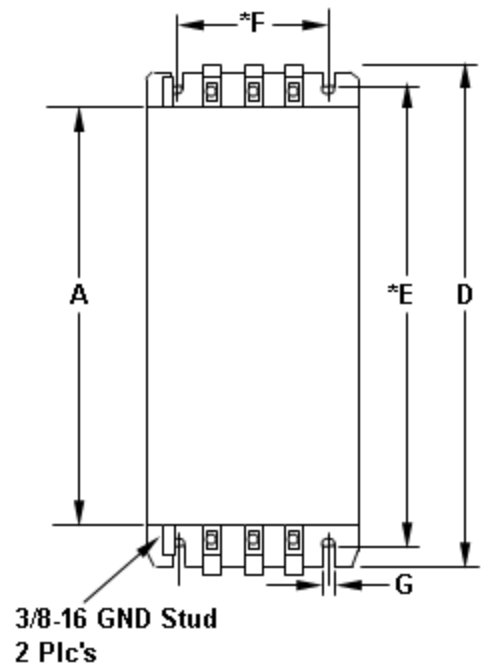


FIGURE 2

*Note: F & E dimensions are centrally located

LCR ELECTRONICS
THREE PHASE EMI FILTER

Filter P/N	Case Size (in _(mm))			MTG Dim. (in _(mm))				
	A	B	C	D	E	F	G	FIG
LCR4310-005	7.06 _(179.3)	3.31 _(84.0)	2.25 _(57.15)	4.50 _(114.3)	4.52 _(115.0)	3.93 _(99.8)	0.250 _(6.35)	1
LCR4310-007	7.06 _(179.3)	3.31 _(84.0)	2.25 _(57.15)	4.50 _(114.3)	4.52 _(115.0)	3.93 _(99.8)	0.250 _(6.35)	1
LCR4310-010	7.87 _(199.9)	4.75 _(120.7)	2.56 _(65.0)	5.87 _(149.1)	4.52 _(115.0)	5.35 _(135.9)	0.250 _(6.3)	1
LCR4310-015	7.87 _(199.9)	4.75 _(120.7)	2.56 _(65.0)	5.87 _(149.1)	4.52 _(115.0)	5.35 _(135.9)	0.250 _(6.3)	1
LCR4310-025	7.87 _(199.9)	4.75 _(120.7)	2.56 _(65.0)	5.87 _(149.1)	4.52 _(115.0)	5.35 _(135.9)	0.250 _(6.3)	1
LCR4310-035	7.87 _(199.9)	4.75 _(120.7)	2.56 _(65.0)	5.87 _(149.1)	4.52 _(115.0)	5.35 _(135.9)	0.250 _(6.3)	1
LCR4310-045	7.87 _(199.9)	4.75 _(120.7)	2.56 _(65.0)	5.87 _(149.1)	4.52 _(115.0)	5.35 _(135.9)	0.250 _(6.3)	1
LCR4310-060	13.78 _(350.0)	6.75 _(171.5)	3.56 _(90.4)	15.75 _(400.1)	14.69 _(373.1)	5.12 _(130.0)	0.250 _(6.3)	2
LCR4310-075	13.78 _(350.0)	6.75 _(171.5)	3.56 _(90.4)	15.75 _(400.1)	14.69 _(373.1)	5.12 _(130.0)	0.250 _(6.3)	2
LCR4310-090	13.78 _(350.0)	6.75 _(171.5)	3.56 _(90.4)	15.75 _(400.1)	14.69 _(373.1)	5.12 _(130.0)	0.250 _(6.3)	2
LCR4310-100	13.78 _(350.0)	6.75 _(171.5)	3.56 _(90.4)	15.75 _(400.1)	14.69 _(373.1)	5.12 _(130.0)	0.250 _(6.3)	2
LCR4310-125	13.78 _(350.0)	6.75 _(171.5)	3.56 _(90.4)	15.75 _(400.1)	14.69 _(373.1)	5.12 _(130.0)	0.250 _(6.3)	2